

VDLive **10** MI

Versatile 2.4G Wireless USB Microphone

**User Manual**

## Foreword

Thanks for purchasing Comica VDLive10 MI

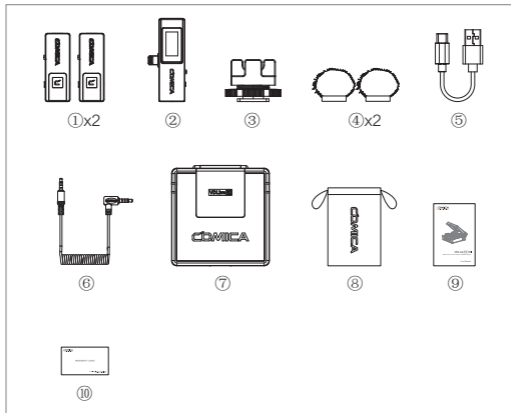
## Main Features

- Dual-channel 2.4G Wireless USB Microphone, Global Free Frequency
- Switchable Simplex / Duplex Transmission, Support Two-way Monitoring and Interaction
- Wide Compatibility for Phone, Computer, Camera, etc.
- Intelligent Noise Reduction, Working Distance Up to 50m (Open Area)
- 3.5mm Analog and USB Digital Two Output Modes
- Support Stereo Mode for all Compatible Devices
- Rechargeable Storage Case
- IPS Screen for Intuitive Operation and Usage
- Mono/Stereo Switch, Volume Adjustment and Mute Functions, etc.
- Internal and External MIC Two Input Modes
- Low Latency < 20ms, Stable Transmission

## Notice

- ⚠ Some cameras are not compatible with 3.5mm TRRS-TRRS audio cable, it's necessary to purchase 3.5mm TRS-TRS audio cable by yourself
- ⚠ The receiver's screen may flick while receiver's battery is low in overloaded audio condition
- ⚠ Don't block the antenna position to avoid any poor signal generated when using
- ⚠ Please power the transmitter and receiver off when charging

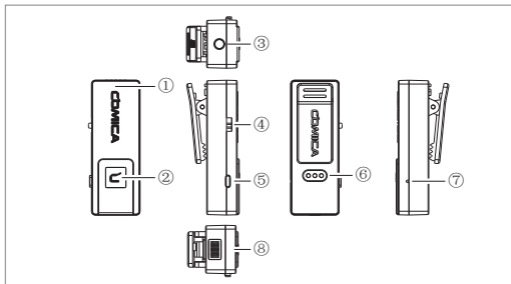
## Packing List



- ① Transmitter(TX)
- ② Receiver (RX)
- ③ Cold Shoe Mount
- ④ Wind Muff
- ⑤ Charging Cable
- ⑥ 3.5mm TRRS-TRRS Audio Cable
- ⑦ Charging Case
- ⑧ Carry Case
- ⑨ User Manual
- ⑩ Warranty Card

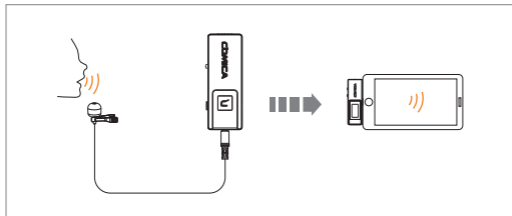
# Components and Instruction

## Transmitter(TX):



- ① Built-in Antenna
- ② Working Status Indicator Light (Orange light on: paired; Orange light flashing: unpaired; Red light on: MIC mute)
- ③ 3.5mm TRS External Mic Port (Simplex Mode)  
Monitoring Port (Duplex Mode)
- ④ S ↑ / OFF / D ↑ ↓ Switch Button (S ↑ : Simplex mode; OFF: Power off; D ↑ ↓ : Duplex mode)
- ⑤ Volume / Mute Adjustment Button (Short press to adjust 4-level volume; long press to mute)
- ⑥ Charging Metal Contact
- ⑦ Reset Hole
- ⑧ Internal Mic

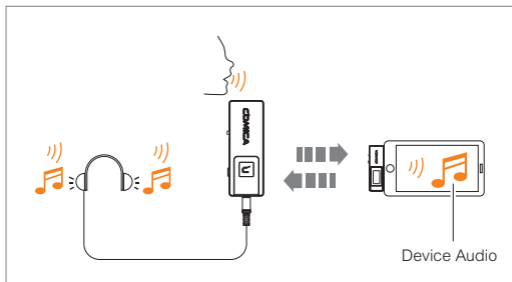
Simplex mode:



The transmitter audio is transmitted to the receiver unidirectionally, audio can only be monitored in receiver

👉 Simplex mode monitoring: audio of transmitter

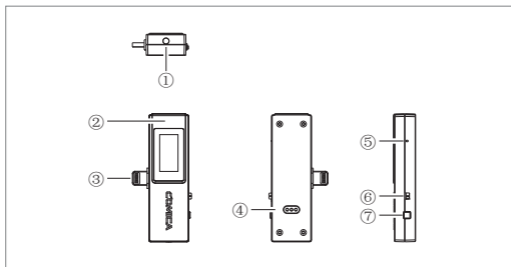
Duplex mode:



Two way transmission of audio between transmitter and receiver, audio can be monitored in transmitter and receiver

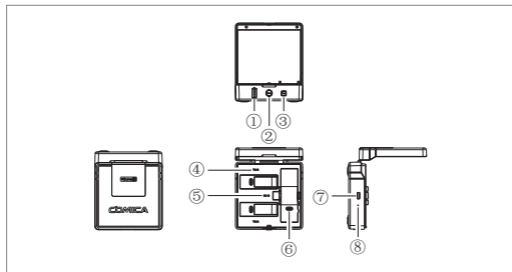
👉 Duplex mode monitoring: audio of transmitter + audio of the platform on the device connected by the receiver

## Receiver (RX)



- ① 3.5mm Audio Output Port ( 3.5mm analog output mode)  
Monitoring Port ( USB digital output mode)
- ② Built-in Antenna
- ③ Lightning Plug
- ④ Charging Metal Contact
- ⑤ Reset Hole
- ⑥ ON/OFF Switch Button (ON: Power on; OFF: Power off )
- ⑦ M/S Switch Button (M: mono mode; S: stereo mode; Short press to switch)

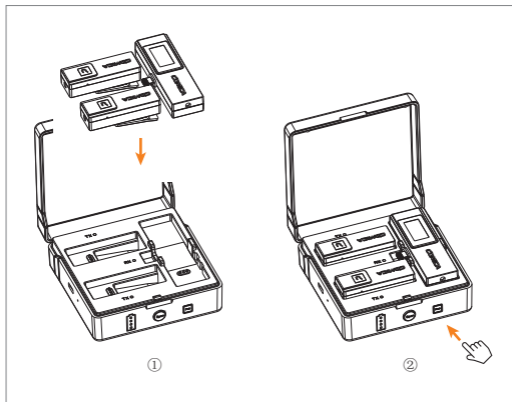
## Charging Case



- ① Power Indicator Light (There are four power indicator lights, one of which represents 25% of the power)
- ② Switch Button (Press it to open the charging case)
- ③ Pairing Button (Long press to pair)
- ④ Transmitter Charging Status Indicator Light (Red light on: charging; Blue light on: fully charged)
- ⑤ Receiver Charging Status Indicator Light (Red light on: charging; Blue light on: fully charged)
- ⑥ Charging Metal Contact
- ⑦ USB-C Charging Port
- ⑧ Reset Hole

 Please power the transmitter and receiver off when charging

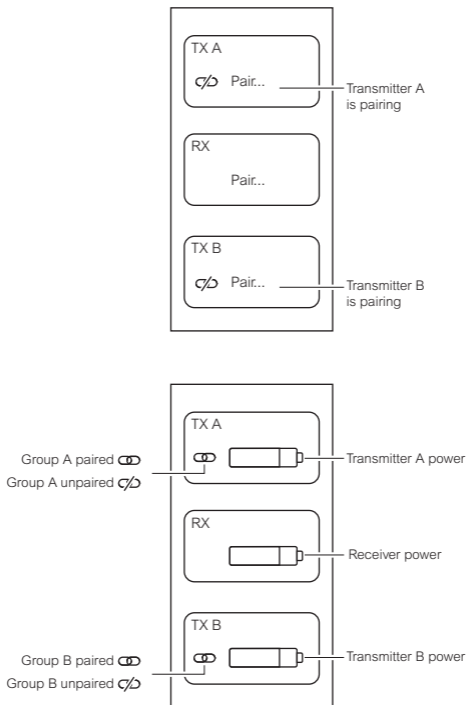
## Pairing Method

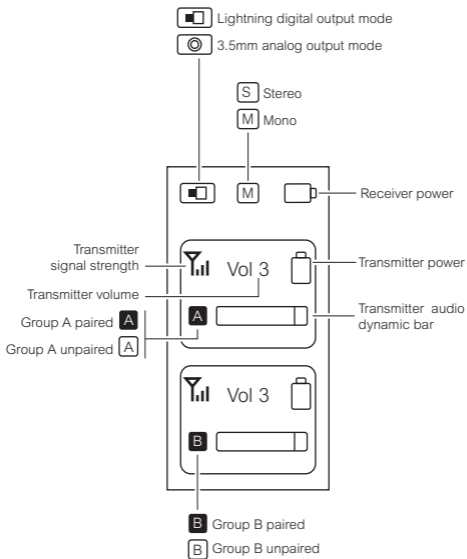


- ① Put the transmitter and receiver into the charging case
- ② Long press the pairing button to pair



## Screen Display Instruction of Receiver (RX)

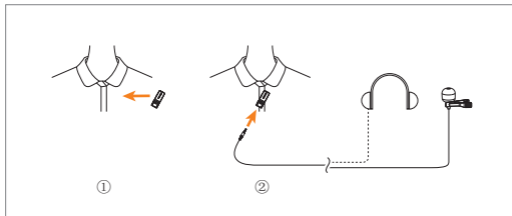




👉 Group A is left channel and group B is right channel


# Installation

## Transmitter(TX)



### 1. In Simplex Mode

- ① Switch the S ↑ /OFF/D ↑ ↓ switch button to S ↑  
(Simplex mode)
- ② You can choose to use internal mic or external mic to satisfy your recording demands

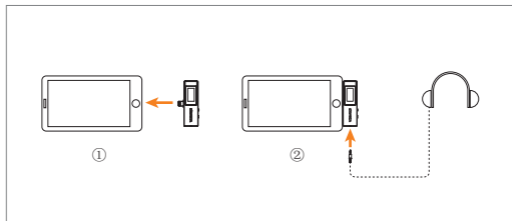
 When using an external mic, the internal mic is automatically turned off

### 2. In Duplex Mode

- ① Switch the S ↑ /OFF/D ↑ ↓ switch button to D ↑ ↓  
(Duplex mode)
- ② Install the transmitter on the collar so that the internal mic points to the sound source
- ③ Insert the headphone into the monitoring port to monitor

## Receiver (RX)

### 1. Lightning Digital Output Mode

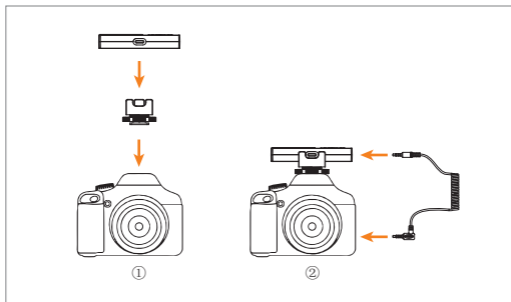


.Insert the receiver to the Lightning device

.You can choose to whether insert the headphone to monitor or not based on your needs

## 2. 3.5mm Analog Output Mode

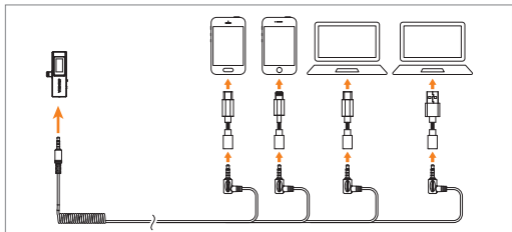
### ① 3.5mm TRS camera



- . Mount the receiver to the camera through the cold shoe mount
- . Connect the receiver and camera via 3.5mm TRRS-TRRS audio cable or 3.5mm TRS-TRS audio cable (Please purchase 3.5mm TRS-TRS audio cable by yourself)

☞ Some cameras are not compatible with 3.5mm TRRS-TRRS audio cable, it's necessary to purchase 3.5mm TRS-TRS audio cable by yourself

## ② USB devices



- . Work with USB devices via corresponding adapter  
(Please purchase adapter by yourself)

## Specification

Wireless Type	2.4GHz
Antenna	Built-in Antenna
Polar Pattern	Omnidirectional
Frequency Response	80Hz ~ 20kHz
S/N	>60dB
SPL	Internal Mic: 120dB
Dynamic Range	Internal Mic: 86dB
Sound Delay	<20ms
Sensitivity	Internal Mic: -30±2dB
Interface	TX: 3.5mm RX: Lightning & 3.5mm Charging Case: USB-C
Battery	TX:95mAh 3.8V RX:90mAh 3.7V Charging Case: 1000mAh 3.7V
Charging Time	TX: 2 Hours RX: 2 Hours Charging Case: 4 Hours
Standby Time	TX: 4 Hours RX: 4 Hours Charging Case:3 times for two transmitters and one receiver charged simultaneously
Net Weight	TX:14g RX: 20g Charging Case: 167g
Dimension	TX: 20x53x21 mm RX: 33x76x13 mm Charging Case: 96x99x37 mm
Operating Temperature	0°C ~ 50°C
Storage Temperature	-20°C ~ 60°C