

VDLive **10** USB

Versatile 2.4G Wireless USB Microphone

User Manual

Foreword

Thanks for purchasing Comica VDLive10 USB

Main Features

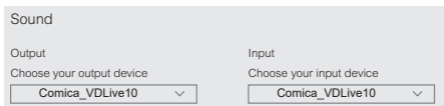
- Dual-channel 2.4G Wireless USB Microphone, Global Free Frequency
- Switchable Simplex / Duplex Transmission, Support Two-way Monitoring and Interaction
- Wide Compatibility for Phone, Computer, Camera, etc.
- Intelligent Noise Reduction, Working Distance Up to 50m (Open Area)
- 3.5mm Analog and USB Digital Two Output Modes
- Support Stereo Mode for all Compatible Devices
- Rechargeable Storage Case
- IPS Screen for Intuitive Operation and Usage
- Mono/Stereo Switch, Volume Adjustment and Mute Functions,etc.
- Internal and External MIC Two Input Modes
- Low Latency<20ms, Stable Transmission

Notice

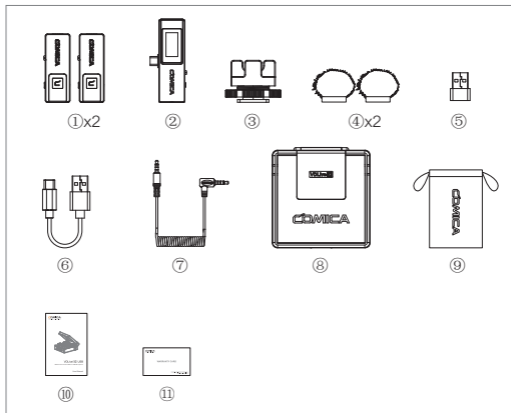
- ⚠ Some cameras are not compatible with 3.5mm TRRS-TRRS audio cable, it's necessary to purchase 3.5mm TRS-TRS audio cable by yourself
- ⚠ Don't block the antenna position to avoid any poor signal generated when using
- ⚠ Please power the transmitter and receiver off when charging

Tips

1. VDLive10 USB is universal for USB and 3.5mm interface devices.
When used in smartphone, the system will compulsorily choose VDLive10 USB
2. When used in computer, please follow the steps below:
 - ① Insert VDLive10 USB into the computer
 - ② Click sound setting and set the "Comica_VDLive10" as the input and output device



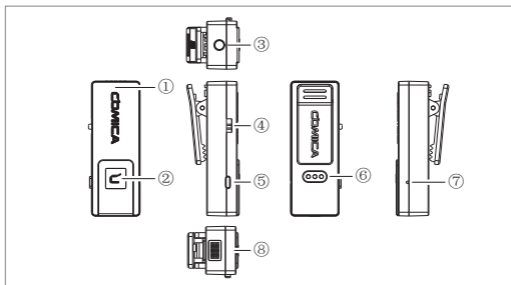
Packing List



- ① Transmitter(TX)
- ② Receiver (RX)
- ③ Cold Shoe Mount
- ④ Wind Muff
- ⑤ USB C-USB A Adapter
- ⑥ Charging Cable
- ⑦ 3.5mm TRRS-TRRS Audio Cable
- ⑧ Charging Case
- ⑨ Carry Case
- ⑩ User Manual
- ⑪ Warranty Card

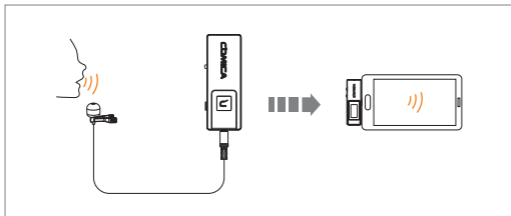
Components and Instruction

Transmitter(TX):



- ① Built-in Antenna
- ② Working Status Indicator Light (Orange light on: paired; Orange light flashing: unpaired; Red light on: MIC mute)
- ③ 3.5mm TRS External Mic Port (Simplex Mode)
Monitoring Port (Duplex Mode)
- ④ S ↑ / OFF / D ↑ ↓ Switch Button (S ↑ : Simplex mode; OFF: Power off; D ↑ ↓ : Duplex mode)
- ⑤ Volume / Mute Adjustment Button (Short press to adjust 4-level volume; long press to mute)
- ⑥ Charging Metal Contact
- ⑦ Reset Hole
- ⑧ Internal Mic

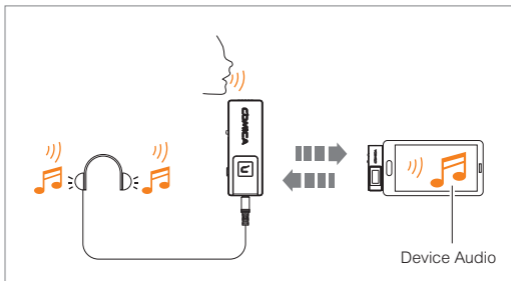
Simplex mode:



The transmitter audio is transmitted to the receiver unidirectionally, audio can only be monitored in receiver

👉 Simplex mode monitoring: audio of transmitter

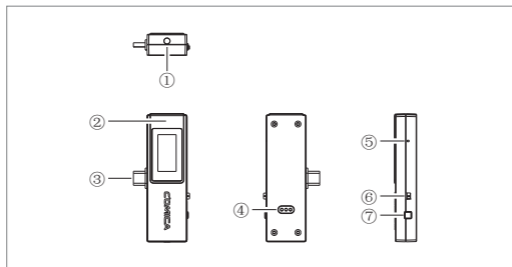
Duplex mode:



Two way transmission of audio between transmitter and receiver, audio can be monitored in transmitter and receiver

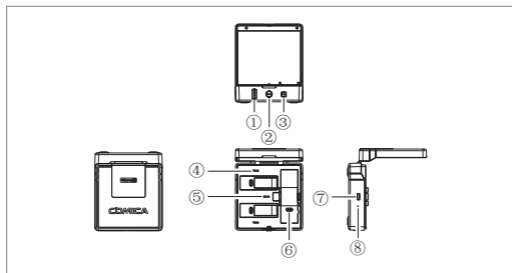
👉 Duplex mode monitoring: audio of transmitter + audio of the platform on the device connected by the receiver

Receiver (RX)



- ① 3.5mm Audio Output Port (3.5mm analog output mode)
Monitoring Port (USB digital output mode)
- ② Built-in Antenna
- ③ USB-C Plug
- ④ Charging Metal Contact
- ⑤ Reset Hole
- ⑥ ON/OFF Switch Button (ON: Power on; OFF: Power off)
- ⑦ M/S Switch Button (M: mono mode; S: stereo mode; Short press to switch)

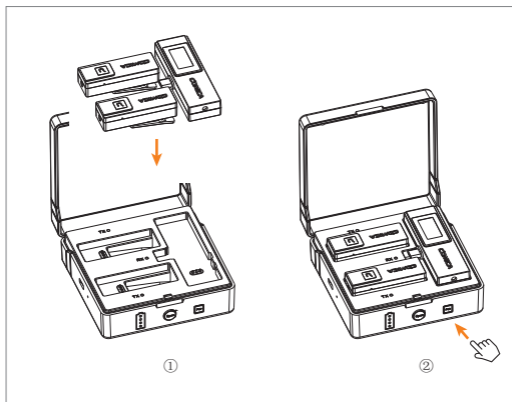
Charging Case



- ① Power Indicator Light (There are four power indicator lights, one of which represents 25% of the power)
- ② Switch Button (Press it to open the charging case)
- ③ Pairing Button (Long press to pair)
- ④ Transmitter Charging Status Indicator Light (Red light on: charging; Blue light on: fully charged)
- ⑤ Receiver Charging Status Indicator Light (Red light on: charging; Blue light on: fully charged)
- ⑥ Charging Metal Contact
- ⑦ USB-C Charging Port
- ⑧ Reset Hole

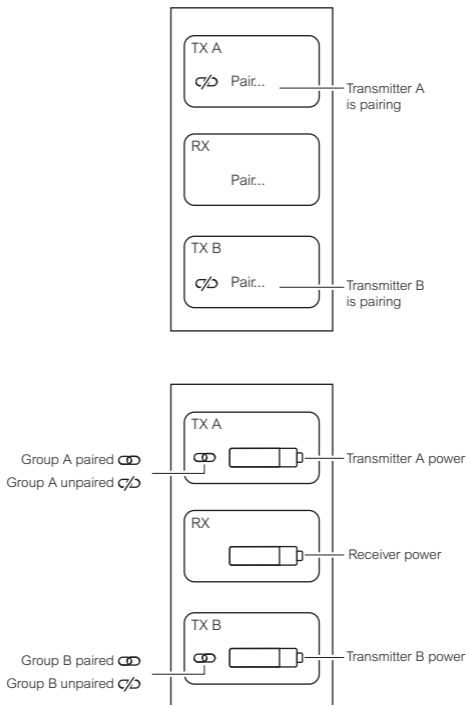
 Please power the transmitter and receiver off when charging

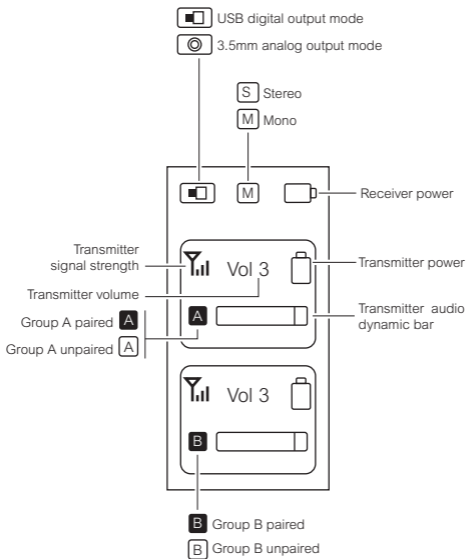
Pairing Method



- ① Put the transmitter and receiver into the charging case
- ② Long press the pairing button to pair

Screen Display Instruction of Receiver (RX)

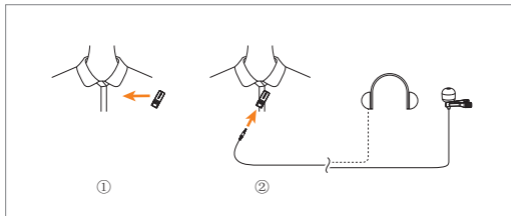




👉 Group A is left channel and group B is right channel


Installation

Transmitter(TX)



1. In Simplex Mode

- ① Switch the S \uparrow /OFF/D $\uparrow \downarrow$ switch button to S \uparrow (Simplex mode)
- ② You can choose to use internal mic or external mic to satisfy your recording demands

 When using an external mic, the internal mic is automatically turned off

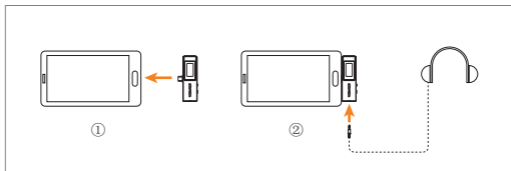
2. In Duplex Mode

- ① Switch the S \uparrow /OFF/D $\uparrow \downarrow$ switch button to D $\uparrow \downarrow$ (Duplex mode)
- ② Install the transmitter on the collar so that the internal mic points to the sound source
- ③ Insert the headphone into the monitoring port to monitor

Receiver (RX)

1. USB Digital Output Mode

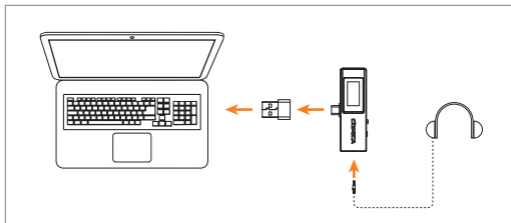
① USB-C device



.Insert the receiver to the USB-C device

.You can choose to whether insert the headphone to monitor or not based on your needs

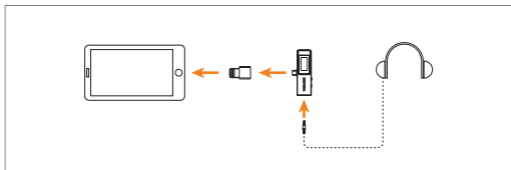
② USB-A device



.Connect the receiver and USB-A device via the USB C-USB A adapter

.You can choose to whether insert the headphone to monitor or not based on your needs

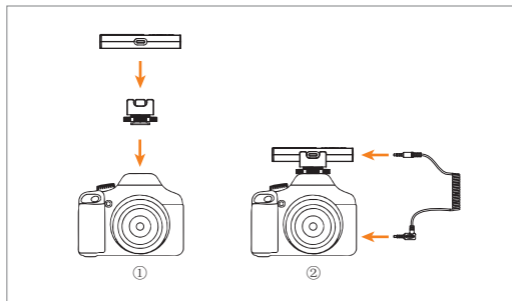
③ Lightning device



- . Connect the receiver and Lightning device via the USB C -Lightning adapter(Please purchase USB C-Lightning adapter by yourself)
- . You can choose to whether insert the headphone to monitor or not based on your needs

2. 3.5mm Analog Output Mode

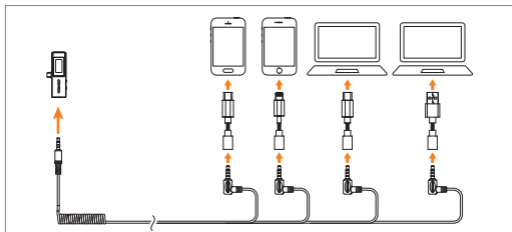
① 3.5mm TRS camera



- . Mount the receiver to the camera through the cold shoe mount
- . Connect the receiver and camera via 3.5mm TRRS-TRRS audio cable or 3.5mm TRS-TRS audio cable (Please purchase 3.5mm TRS-TRS audio cable by yourself)

☞ Some cameras are not compatible with 3.5mm TRRS-TRRS audio cable, it's necessary to purchase 3.5mm TRS-TRS audio cable by yourself

② USB devices



- . Work with USB devices via corresponding adapter
(Please purchase adapter by yourself)

Specification

Wireless Type	2.4GHz
Antenna	Built-in Antenna
Polar Pattern	Omnidirectional
Frequency Response	80Hz ~ 20kHz
S/N	>60dB
SPL	Internal Mic: 120dB
Dynamic Range	Internal Mic: 86dB
Sound Delay	<20ms
Sensitivity	Internal Mic: -30±2dB
Interface	TX: 3.5mm RX: USB-C & 3.5mm Charging Case: USB-C
Battery	TX:95mAh 3.8V RX:90mAh 3.7V Charging Case: 1000mAh 3.7V
Charging Time	TX: 2 Hours RX: 2 Hours Charging Case: 4 Hours
Standby Time	TX: 4 Hours RX: 4 Hours Charging Case:3 times for two transmitters and one receiver charged simultaneously
Net Weight	TX:14g RX: 20g Charging Case: 167g
Dimension	TX: 20x53x21 mm RX: 33x76x13 mm Charging Case: 96x99x37 mm
Operating Temperature	0℃ ~ 50℃
Storage Temperature	-20℃ ~ 60℃