

Saramonic®

VmicLink5 HiFi System
RX5+TX5

5.8GHz HiFi Wireless Microphone System

Statement

Please read this manual carefully before using and strictly operate and store in accordance with the instructions. Please save it for your future reference.

If the user manual can not help you to solve certain problems, please ask your retailer for help or email us: **info@saramonic.com**.

Cautions

1. Do not use the unit under water, don't expose it to rain.
Please store it in a cool, dry place.
2. Please use and store it in normal temperature. Do not move it from overheated to supercooled condition frequently as well as keep away from heat sources such as heater and oven.
3. When using and storing, please pay attention to dust and moisture.
4. Be careful to violent collision.
5. To avoid acoustical feed-back, do not hold the microphone close to the loudspeakers.
6. For the best sound pick-up pattern do not hold your hand against the microphone head.
7. Remove the batteries from the battery compartment when the device is not used for a long time.

Contents

General Introduction	2
<hr/>	
Highlights	2
<hr/>	
Portable Receiver RX5	2
Product Structure	2
Attaching Accessories	3
LCD Display Operation Guide	3
<hr/>	
Body-pack Transmitter TX5	5
Product Structure	5
Attaching Accessories	6
LCD Display Operation Guide	6
<hr/>	
Battery Charger	7
<hr/>	
Specifications	7
<hr/>	
Packing List	8

1.1 General Introduction

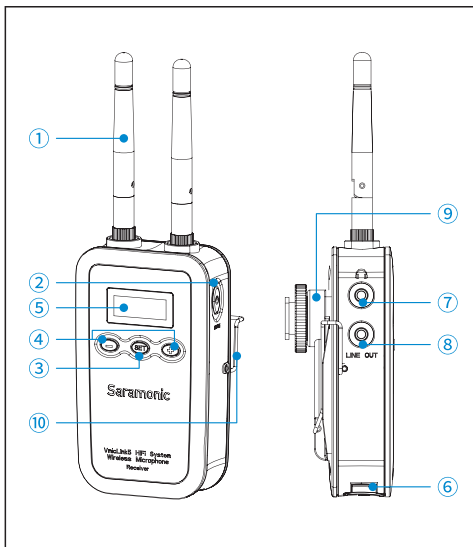
The Saramonic VmicLink5 HiFi System is a new generation of wireless microphone system. Utilizing the 5.8GHz technology to transfer high fidelity audio, it is a perfect wireless audio solution for your audio recording in DSLR video, field recording, filmmaking, broadcast & TV, electric news gathering (ENG), on-the-spot interviews, sound design and more.

1.2 Highlights

- The 5.8GHz technology provides high fidelity audio.
- Record audio up to 30 meters away with no obstacle.
- Automatically channel switch programme to avoid interference from multiple systems in the same environment.
- Line & Mic inputs provide wide range of input options.
- Real-time headphone monitor jack.
- Detachable and flexible antenna can be rotated 360° accordingly for the best sound.
- 1000mAh rechargeable li-ion battery (included).

1.3 Portable Receiver RX5

1.3.1 Product Structure



① Antennas

Screw clockwise to install.

Screw counterclockwise to dismantle.

Adjust the antennas to get the best reception.

② Power button

Long press to turn on/off the RX5.

Short press to turn on/off the MUTE function.

③ SET button

Long press the SET button to enter the displayed menu.

Then, short press the SET button to confirm your option or long press again to exit without saving.

④ + or - button

Select functions or values shown on the display.

⑤ LCD display

Display menus, please refer to "1.3.3 LCD Display Operation Guide" for more details.

⑥ Battery compartment

Install a battery:

Slide the switch on the battery compartment cover according to the indicating arrow to open the battery compartment.

Install a battery properly and the battery will be locked automatically.

Slide the switch and release it to close the battery compartment.

Remove a battery:

Slide the switch on the battery compartment according to the indicating arrow to open the battery compartment.

Slide the battery locking unit to release the battery.

⑦ PHONE jack

3.5mm stereo mini headphone jack.

Connect a headphone to monitor the audio.

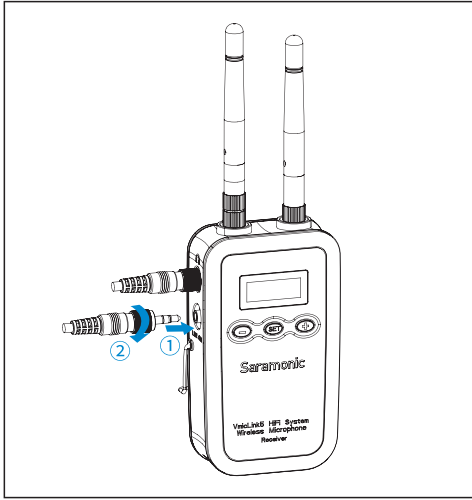
⑧ LINE OUT jack

Connect the RX5 to a video camera, camcorder, mixer or amplifier with the supplied output cable.

⑨ Standard cold shoe

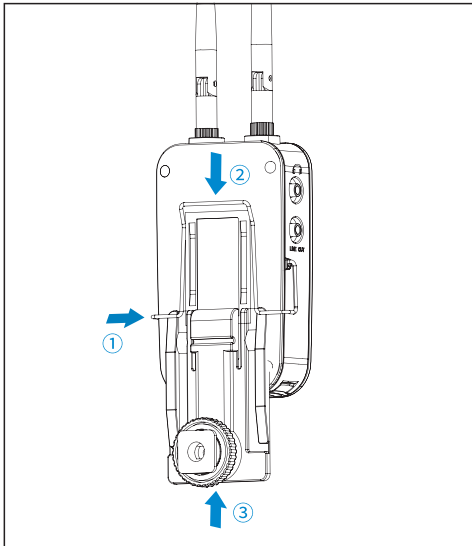
⑩ Belt clip

1.3.2 Attaching Accessories



1. Connect the supplied cable to the Line out

- ① Plug the supplied cable into the LINE OUT jack.
- ② For a secure connection, rotate clockwise to lock the connector.



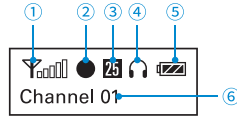
2. Attach the shoe mount adapter

- ① Please attach the belt clip upside-down before attaching the shoe mount adapter.

② Push the bottom of the belt clip to make some space between the belt clip and the receiver.

③ Align the belt clip with the two vertical grooves on the shoe mount adapter and insert the adapter in the direction of the arrow. Push the shoe mount adapter in fully until the belt clip fits into the horizontal groove on the adapter holds.

1.3.3 LCD Display Operation Guide



Home screen

If no operation is performed for 20 seconds on the other screens, the display will automatically return to the home screen.

① RF level indicator

Indicates the current reception level.

② RX5 & TX5 connecting indicator

"●": The RX5 has been matched with TX5 successfully.

"○" & "●" flashing: The RX5 hasn't been matched with TX5.

NOTE: Details please refer to "Match with TX5 (page 4)" & "Match with RX5 (page 7)".

③ Volume indicator

Indicates the volume of audio output.

④ Mute indicator

🔇 MUTE ON 🗣️ MUTE OFF

NOTE: MUTE can be turn on or off both in the RX5 and TX5. The MUTE operation in RX and TX is separate.

⑤ Battery level indicator

Displays the battery level. Please replace the battery immediately when the indicator starts flashing.

NOTE: Low battery might cause an unstable transmission of audio signal.

⑥ Current channel

Displays the current channel number.

NOTE: The channel can only be changed manually in the TX5.

Once the RX5 is matched with the TX5, the channel number of RX5 will be changed with the TX5 synchronously all the time.



Volume setting

Set output volume. Set the volume of output audio within the range 0 to 31. The setting is retained even after the power is turned off. Default is "25".



Power locked/unlocked

Long press the SET button to lock or unlock the power key. Lock the power key to prevent the receiver being turned off unwittingly while using.

- Unlocked: Long press the power key to turn the receiver on or off (System default).
- Locked: The receiver will not be turned off even after pressing the power key.



Mute key enable/disable

Long press the SET button to enable/disable mute function.

- Enable: Press power button to turn mute on/off.
- Disabled: The mute function of the RX5 is disabled.



Match with TX

Long press the SET button to match with TX. Please also start "Match with RX" in the TX5 simultaneously.

NOTE: Please match the RX5 and TX5 if they haven't been matched before.

Once RX5 and TX5 have been matched successfully, the setting is retained even after the power is turned off, the RX5 and TX5 will automatically match with each other everytime after powered on.

After restore default, please match the RX5 and TX5 again.



Set backlight

Set the background LED light to ON or Delay 60/30/10 seconds or OFF.

Default is "Delay 10s."



Restore default

Restore all settings of the RX5 to default settings.

NOTE: The matching setting will also be cleared after restore, please match with your TX5 again.



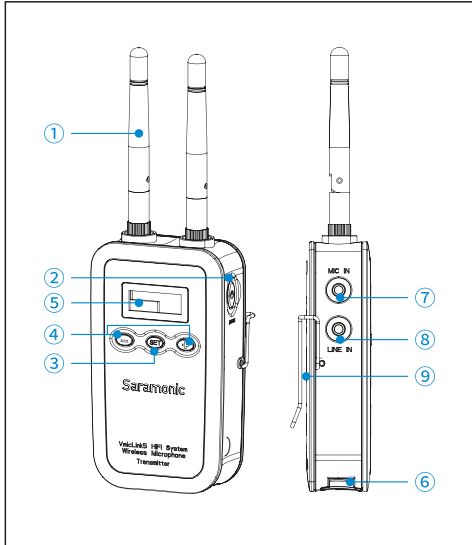
Version of the RX5



Serial number

1.4 Body-pack Transmitter TX5

1.4.1 Product Structure



① Antennas

Screw clockwise to install.

Screw counterclockwise to dismantle.

Adjust the antennas accordingly to deliver the best transmission.

② Power/Mute button

Long press to turn on/off the TX5.

Short press to turn on/off the MUTE function.

③ SET button

Long press the SET button to enter the displayed menu.

Then, short press the SET button to confirm your option or long press again to exit without saving.

④ + or - button

Selects functions or values shown on the display.

⑤ LCD display

Display menus, please refer to "1.4.3 LCD Display Operation Guide" for more details.

⑥ Battery compartment

Install and remove the battery instructions are the same as the RX5.

⑦ MIC input jack (3.5mm locking-type plug)

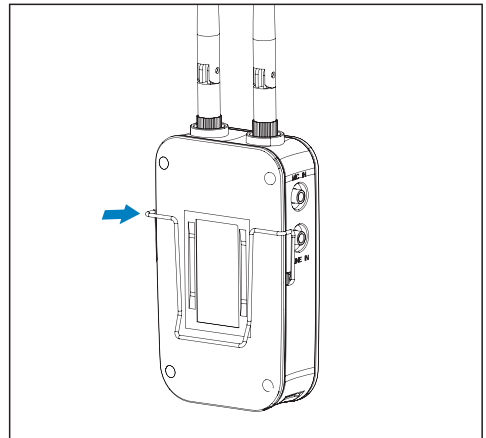
Connect to the supplied lavalier microphone.

⑧ LINE input jack (3.5mm locking-type plug)

Connect to audio devices with line output.

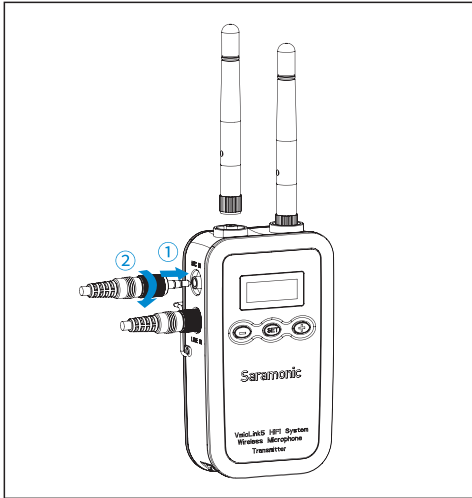
⑨ Belt clip

1.4.2 Attaching Accessories



Attach a belt clip

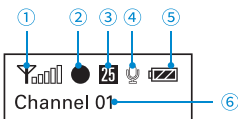
Insert one end of the belt clip into one of two holes on either side of the transmitter, and then insert the other end into the hole on the other side.



- ① Connect the microphone/audio device.
- ② For a secure connection, rotate clockwise to lock the connector.

NOTE: Please turn off the transmitter before attaching or removing the microphone/audio device.

1.4.3 LCD Display Operation Guide



Home screen

If no operation is performed for 20 seconds on the other screens, the display will automatically return to the home screen.

① RF level indicator

Indicates the current transmission level.

② RX5 & TX5 connecting indicator

"●": The TX5 has been matched with RX5 successfully.

"○" & "●" flashing: The TX5 hasn't been matched with RX5.

NOTE: Details please refer to "Match with TX5 (page 4)" & "Match with RX (page 7)".

③ Volume indicator

Indicates the volume of audio output.

④ Mute indicator

MUTE ON MUTE OFF

Note: MUTE can be turn on or off both in the RX5 and TX5. The MUTE operation in RX5 and TX5 is separate.

⑤ Battery level indicator

Displays the battery level.

Please replace the battery immediately when the indicator starts flashing.

NOTE: Low battery might cause an unstable transmission of audio signal.

⑥ Current channel

Displays the current channel number.

NOTE: The channel can only be changed manually in the TX5.

Once the RX5 has been matched with the TX5, the channel number of RX5 will be changed with the TX5 synchronously all the time.



Volume setting

Set output volume. Set the volume of output audio within the range 0 to 31. The setting is retained even after the power is turned off. Default is "25".



Power locked/unlocked

Long press the SET button to lock or unlock the power key. Lock the power key to prevent the transmitter being turned off unwittingly while using.

- Unlocked: Long press the power key to turn the transmitter on or off (System default).
- Locked: The transmitter will not be turned off even after pressing the power key.



Mute key enable/disable

Long press the SET button to enable/disable mute function.

- Enable: Press power button to turn mute on/off.
- Disabled: The mute function of the TX5 is disabled.



Match with RX

Long press the SET button to match with RX. Please also start "Match with TX" in the RX5 simultaneously.

NOTE: Please match the RX5 and TX5 if they haven't been matched before.

Once RX5 and TX5 have been matched successfully, the setting is retained even after the power is turned off, the RX5 and TX5 will automatically match with each other everytime after powered on.

After restore default, please match the RX5 and TX5 again.



Set backlight

Set the background LED light to ON or Delay 60/30/10 seconds or OFF.

Default is "Delay 10s."



Restore default

Restore all settings of the TX5 to default settings.

NOTE: The matching setting will also be cleared after restore, please match with your RX5 again.



Version of the TX5



Serial number

1.5 Battery Charger

Use the battery charger to recharge the battery of VmicLink5 HiFi system.

The indicator turns red while the battery is charging.

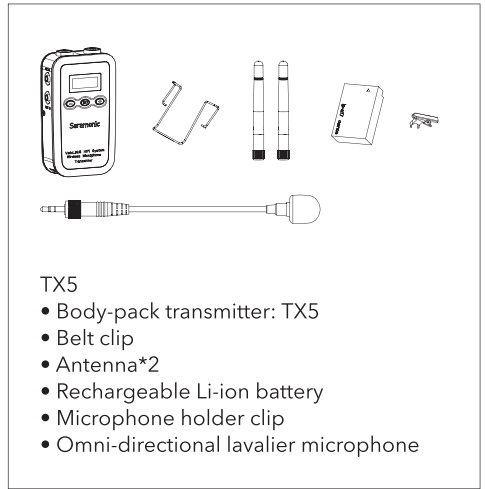
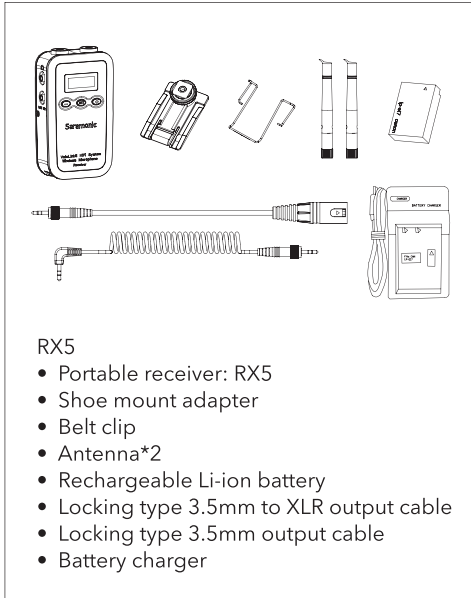
The indicator turns green while the battery has been fully charged.

1.6 Specifications

VmicLink5 HiFi System	
RF power	15dBm(30mW)
RF frequency	5725-5875MHz
Channel	3 CH, TX5 channel changeable, RX5 follow with TX5
Transmission distance	30m with no obstacle
Interface	Transmitter Mic in: Max 160mV/-13dBu, 1.8V phantom power
	Transmitter Line in: Max 2V/8dBu, 50V DC isolation
	Receiver Phone out: Max 70mW/32Ω, 10V DC isolation
	Receiver Line out: 4 times mic in gain, 50V DC isolation
Receive sensitivity	112dB
THD+N	-90dB
Sample rate	48K/24bit
Audio frequency response	40Hz-22KHz±1dB
Voice delay	18ms
Power consumption	RX5: 140mA/6V
	TX5: 140mA/6V
Antenna gain	3dBi

Weight	RX5: 169g (about 6.0oz, battery included)
	TX5: 169g (about 6.0oz, battery included)
Battery	7.2V/1000mAh Li-ion
Battery type	LP-E17 (CANON EOS M3/750D/760D)
Dimensions	RX5: 113x64x28mm
	TX5: 113x64x28mm
Operating temperature	0°C-50°C
Storage temperature	-20°C-55°C

1.7 Packing List



- Warranty card
- User manual

www.saramonic.com

The Saramonic logo is trademark which is registered and owned by Saramonic International.

COPYRIGHT 2011-2021 SARAMONIC INTERNATIONAL (A brand of DSQN)

Email: info@saramonic.com